

MULTIFARMER 30.6 CLASSIC



120HP



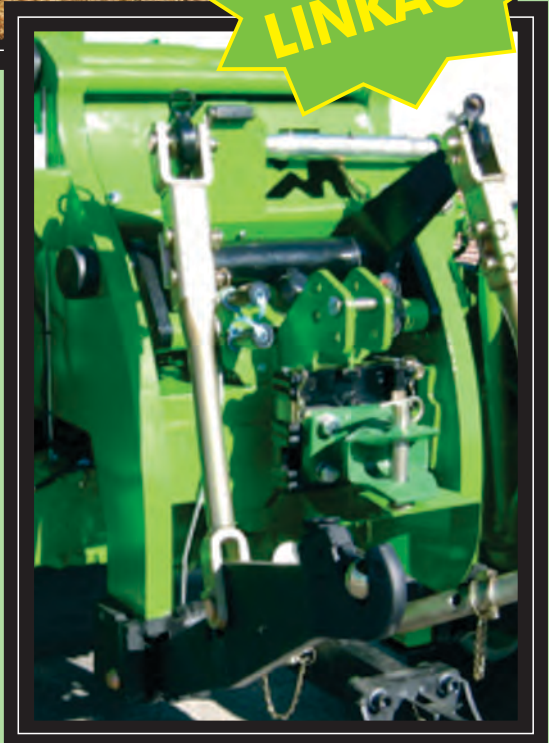
6 METRE
LIFT



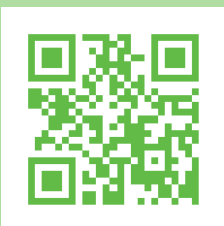
3000KG
LOAD



PTO
540/1000



3 POINT
LINKAGE



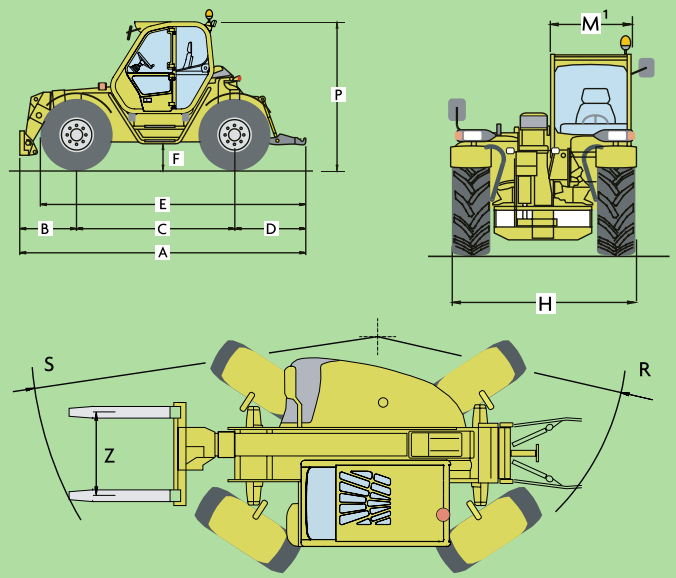
MERLO
AUSTRALIA

KEY SPECIFICATIONS

Total weight unladen with forks (kg)	6500
Maximum load capacity (kg)	3000
Maximum lift height (m)	6.00
Maximum forward reach (m)	3.15
Lift height at maximum capacity (m)	6.0
Forward reach at maximum load capacity (m)	1.3
Load capacity at maximum height (kg)	2500
Load capacity at maximum forward reach (kg)	1250
Engine (make/number of cylinders)	Deutz/4
Tier 3 engine power (kW/hp)	88.5/120
Fuel capacity (l)	155
Maximum speed (kph)	40
Hydraulic gear pump (bar-l/min)	210-107
Hydraulic oil capacity (l)	105
Electrical circuit (V)	12
Battery (Ah)	100
Cab compliant with ROPS/FOPS standards	✓
4x1 Electro Proportional joystick controls	✓
Tac-Lock hydraulic attachment coupling	✓
Auxiliary boom hydraulics	✓
Two standard forks (1200mm)	✓
Hydrostatic transmission	✓
Finger touch direction control	✓
Inching pedal for precise control	✓
Permanent 4 wheel drive	✓
Four wheel steering	✓
Dry type disc brakes on all wheels	✓
Automatically locking parking brake	✓
Tyres, MITAS 460/70 R24 159A8	✓
Front and Rear differential lock	✓
Three cab working lights (2f & 1r)	✓
4300kg capacity three point linkage	✓
Air suspension seat	✓
Front window protection	✓
Full size cab with air conditioning	✓
Stability control system	✓

The multi award winning Merlo MultiFarmer has revolutionised agricultural materials handling with high tech engineering, enhancing the potential of a telescopic handler and transforming it into a true multi-purpose system. The rear hydraulic linkage has a capacity of 4300 kg and the rear PTO has two speed with a 6 spline shaft. The engine features easy access at ground level and even swings away from the chassis for convenience. The full size air conditioned comfort cab features easy access controls and great visibility.

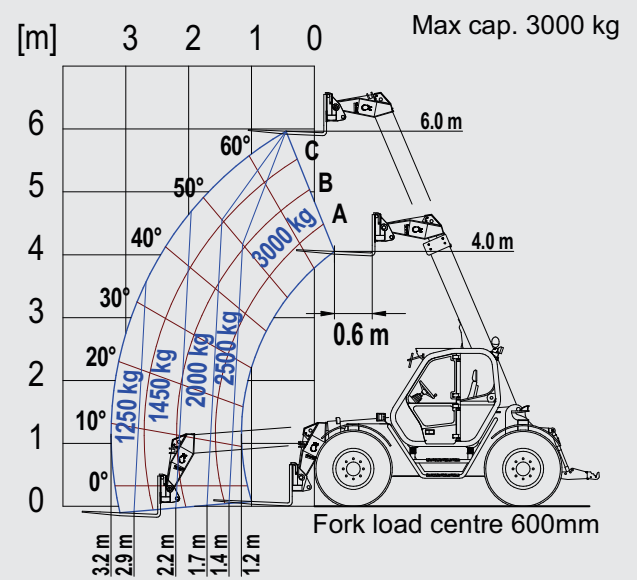
The Merlo MultiFarmer will produce the highest productivity in even the most difficult conditions.



DIMENSIONS

A (mm)	4900
B (mm)	980
C (mm)	2700
D (mm)	1220
E (mm)	4560
F (mm)	430
H (mm)	2250
M (mm)	995
P (mm)	2495
R (mm)	3900
S (mm)	4700

MF30.6 Load Chart - Standard forks



1300 657325
merloaustralia.com.au