

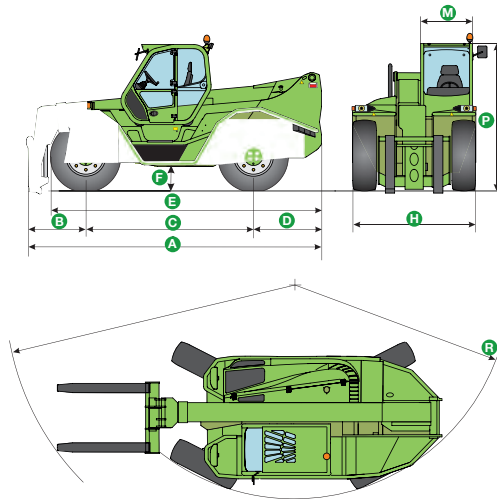


**PANORAMIC HIGH CAPACITY TIER 4 INTERIM**



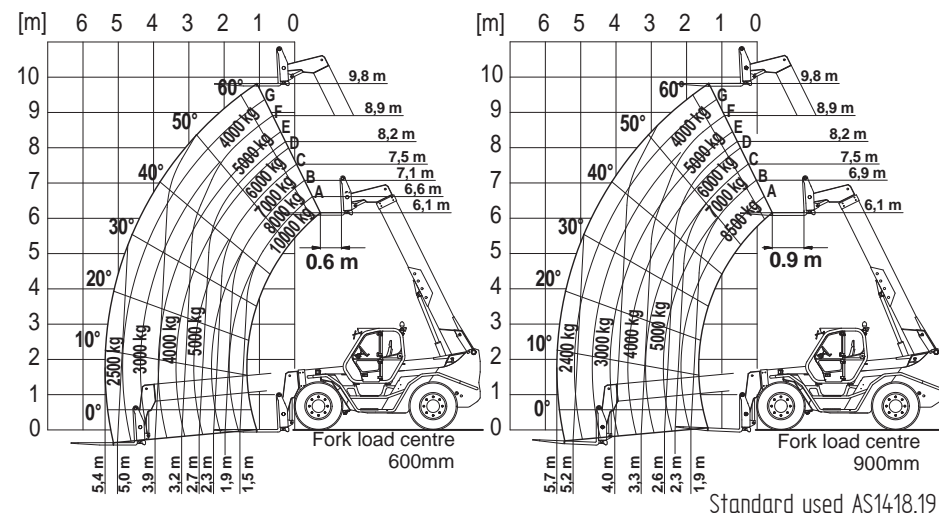
# Panoramic P120.10 HM

## High capacity family



### DIMENSIONS P120.10 HM

A (mm)	5740
B (mm)	1160
C (mm)	3240
D (mm)	1335
E (mm)	5235
F (mm)	450
H (mm)	2400
M (mm)	1010
P (mm)	2850
R (mm)	4300



TECHNICAL INFORMATION	P120.10HM
Total unladen mass, without forks (kg)	15650
Lifting height (m)	9,8
Maximum reach (m)	5,1
Turbo motor (displacement/cylinders)	4,5/4
Tier 4 Interim motor power (kW/CV)	129/176
Eco Power Drive (EPD)	●
Maximum speed (km/h)	40
BSS hydro-pneumatic boom suspension	-
Fuel tank (l)	185
Hydraulic Load-Sensing pump (bar-l/min)	210/119
Flow Sharing	●
Regenerative device (+50% boom speed)	●
Hydraulic oil tank (l)	177
FOPS (ISO 3449) and ROPS (ISO 3471) cab	●
Electronic joystick	●
Electromechanical joystick	-
Hydrostatic transmission	●
Differential lock (Front - Rear)	●
Reverse shuttle at steering wheel:	Dual
Inching-Control pedal movement control	●
Permanent four-wheel drive	●
Four-wheel steering	●
Automatic parking brake	●
Work headlights on cab (2 A + 2 P)	●
Change of speed	CVTronic
Chassis levelling + side shift	●
Dynamic load control M CDC + display + automatic attachment recognition	●
Standard tyres	17.5-25

● As standard. ○ On request.